

Installation Guide

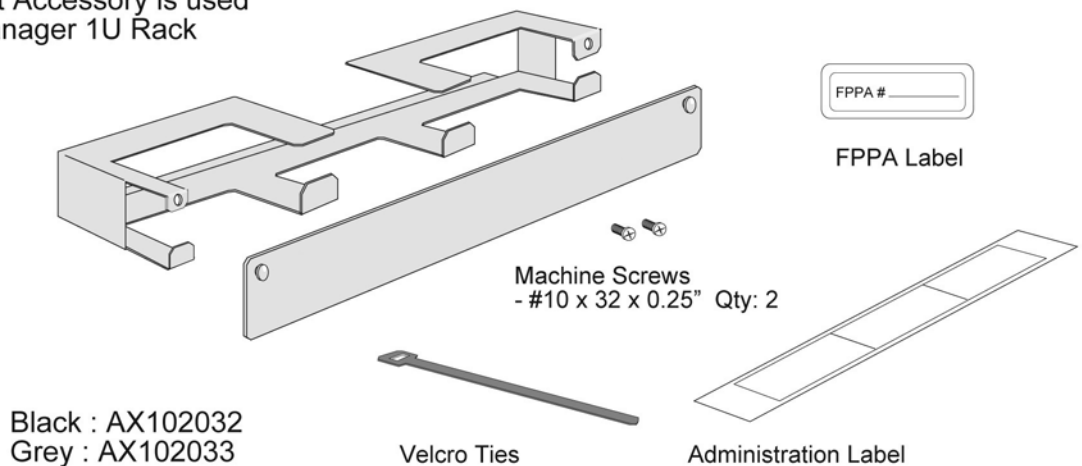
Version 02.00 2007 PX103404

BELDEN

FiberExpress Manager 1U Cable Management Accessory

1 of 2 pages

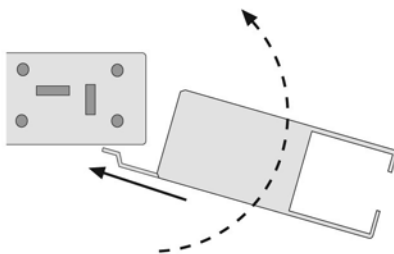
The Cable Management Accessory is used on the FiberExpress Manager 1U Rack Mount Patch Panel, 19". AX101943-944



1. New installation

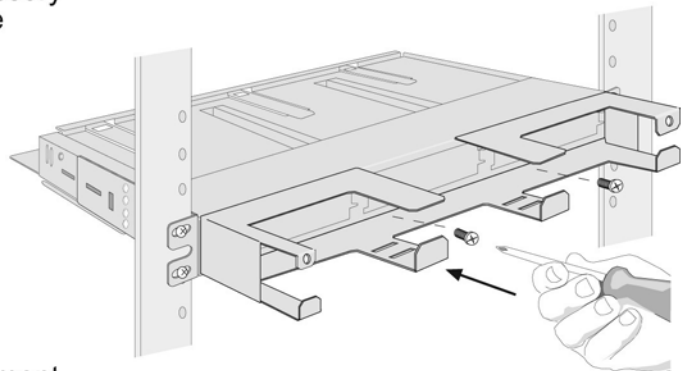
Following the procedure in Installation Guide PX103293, install the panel to the rack.

- 1A.** Engage tab on the cable management accessory into the bottom of the patch panel and rotate accessory upward against the panel.

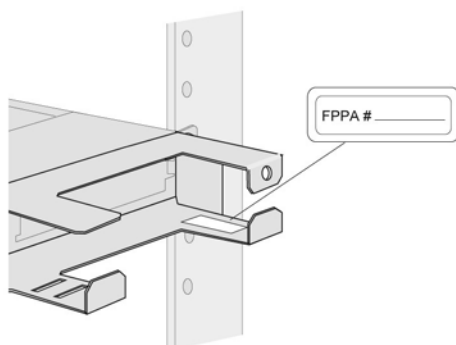


Note: It is recommended that the cable management accessory be installed after the patch panel is installed on the rack.

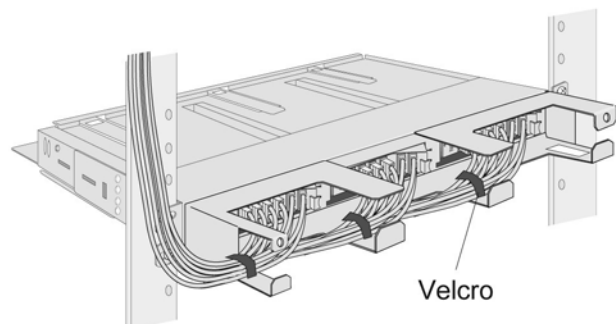
- 1B.** Using the two machine screws (provided), attach the cable management accessory to the front of the patch panel.



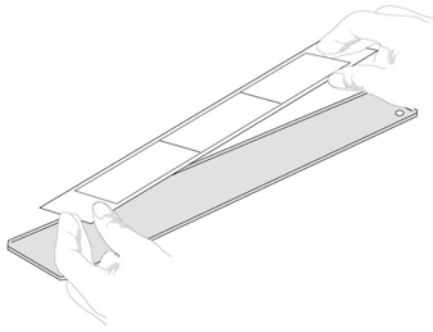
- 1C.** Apply the FPPA label on inside surface.



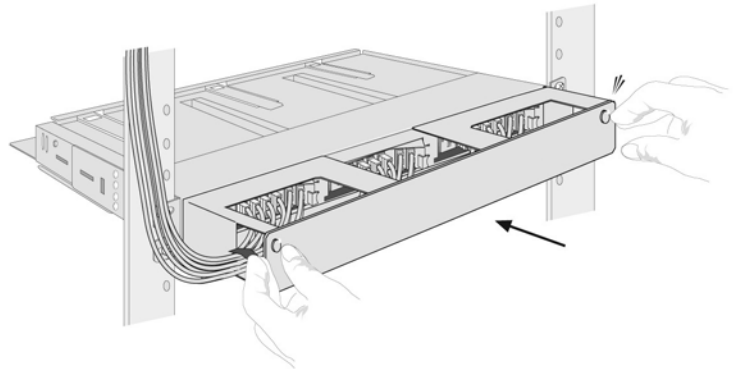
- 1D.** After installing modules and fiber patch cords as per Installation Guide PX103293, dress route patch cords in the cable management accessory. Secure the bundles with Velcro.



1E. Apply the administration label to the back of the front cover.

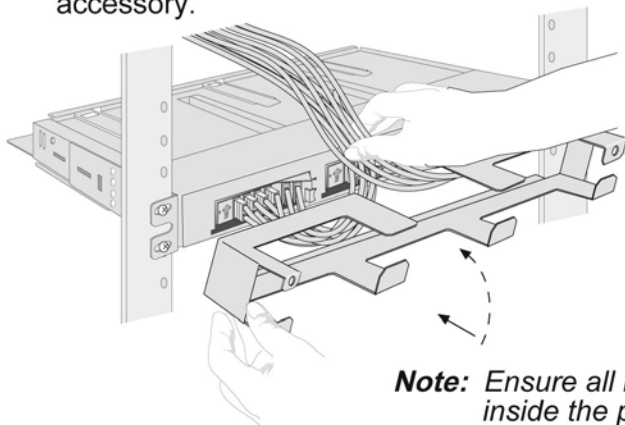


1F. Snap on the front cover.

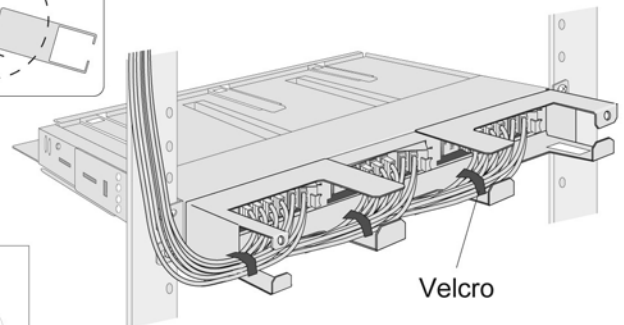
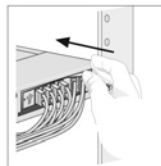
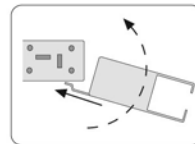


2. Retrofit installation - one unit

2A. To avoid detaching and interrupting existing terminations, reroute patch cord bundles through opening before installing the accessory.



2B. Install accessory as shown in "1A".



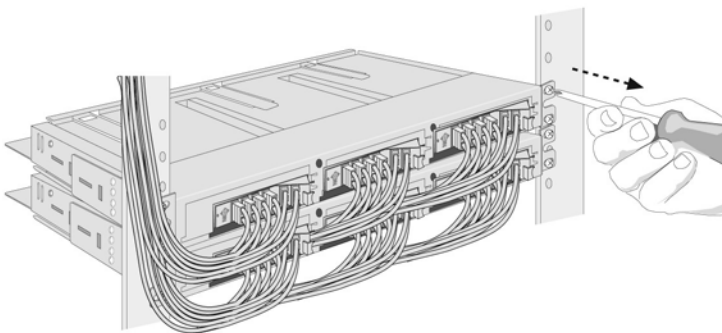
2C. Dress patch cords back into their original routing.

Note: Ensure all modules are fully positioned inside the panel before installing the accessory!

3. Retrofit installation - multiple units

To install an accessory on a panel where a lower unit is obstructing the installation.

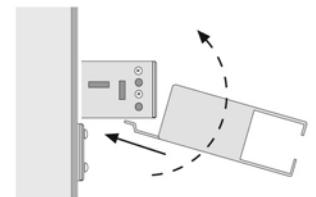
3A. Temporarily remove the four screws holding the upper panel to the rack.



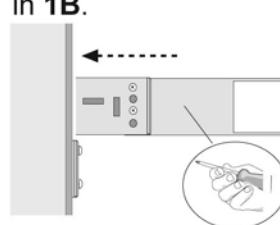
3B. Carefully extend the upper unit approximately 2".



3C. Position the cable management accessory and patch cords as shown in 2A.



3D. Reposition the panel and attach accessory as shown in 1B.



3E. Re-install panel in rack.

